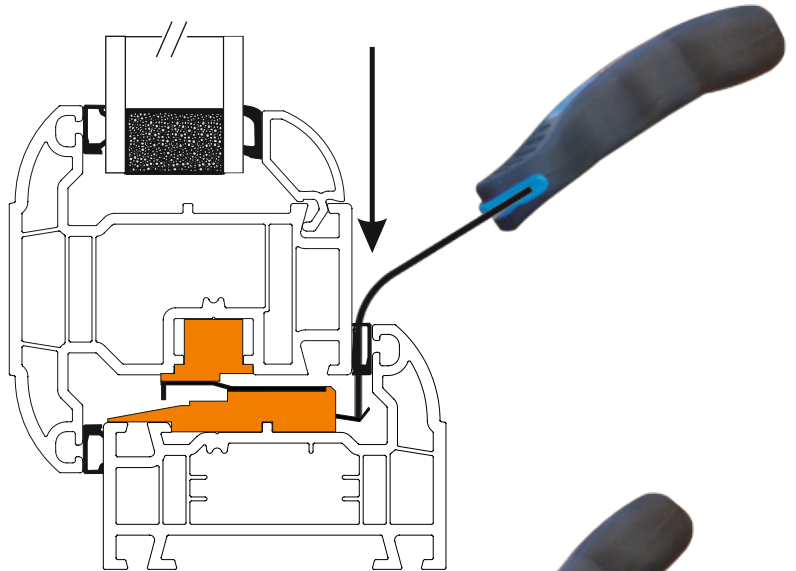
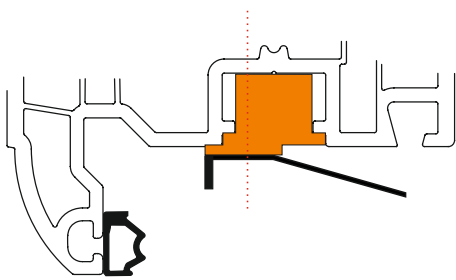
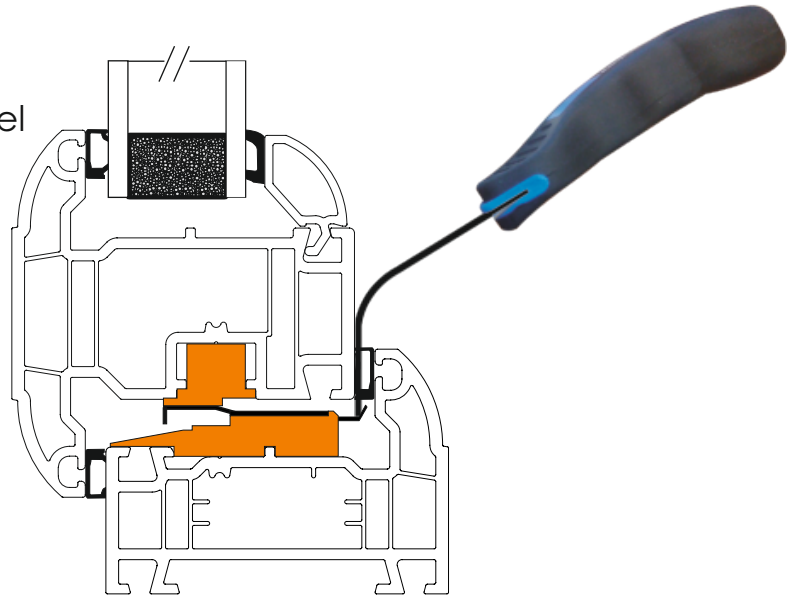
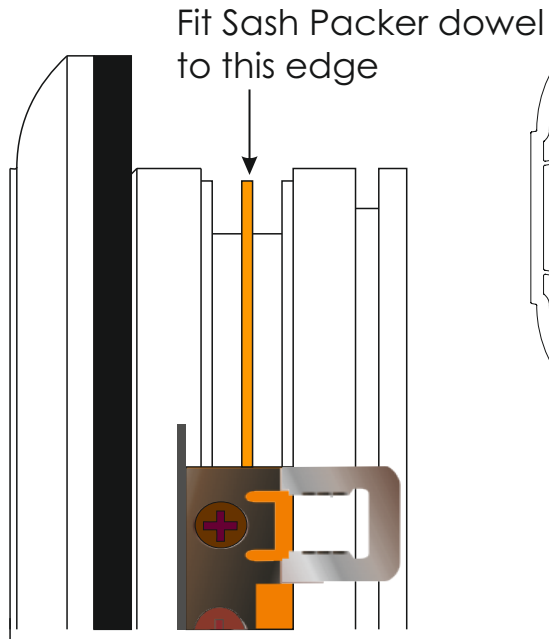
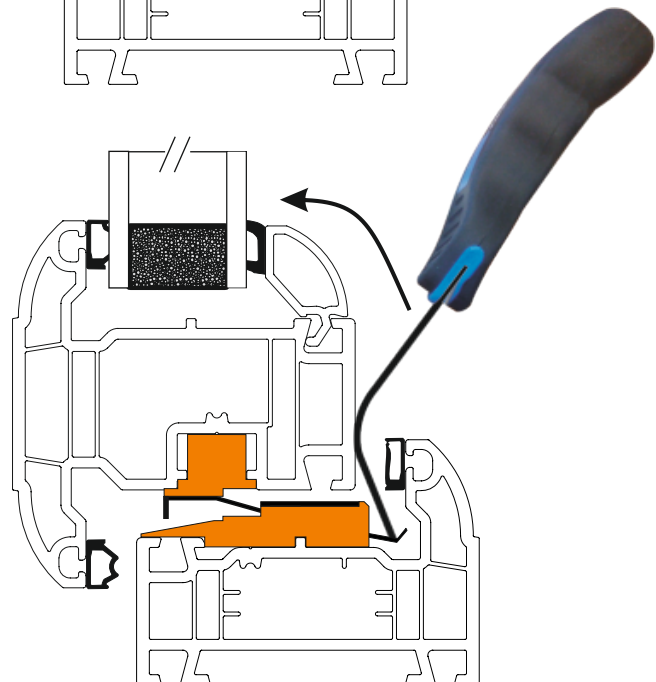
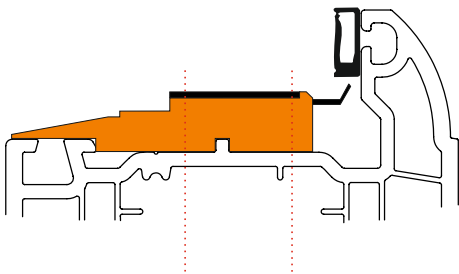


# Swish 247

(Part No. DSP25W)



Screw centres



Drawings are not to scale

Reinforcing and fixing screws  
have been omitted for clarity



Patent No. GB2445676B

